



## Features

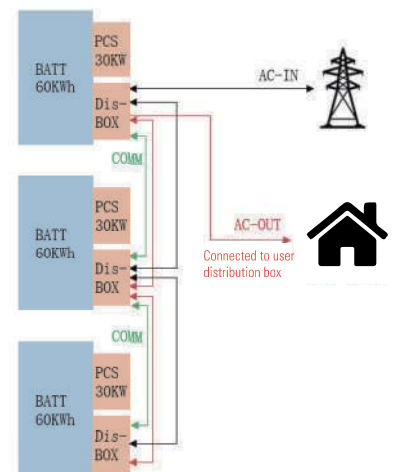
- Easy to install and deploy with large space utilization
- Unique modular design & flexible function configuration
- With self-use, peak shifting, forced charging & discharging and other working modes
- Strong scalability, simple & convenient expansion on both AC and DC sides

## Expansion



Expansion in DC side

Expansion in AC side



Topology(Max. power≤100kW)

Module	CISS 3060	CISS 5060
<b>Battery parameters</b>		
Number of battery packs	12	12
Rated voltage	614.4V	
Voltage range	537.5~691.2V	
Rated energy	60kWh	
Max. charging and discharging current	100A	
Communication	RS485/CAN	
Cycle life	6000times	
<b>PV parameters</b>		
Max.PV input power	39kW	65kW
Rated input voltage	600VDC	
Max.input voltage	1000VDC	
MPPT voltage range	200~850VDC	
PV input current	36+36+36 (A)	36+36+36+36 (A)
<b>AC side parameters</b>		
AC rated input/output power	30kVA	50kVA
AC Max. input/output power	33kVA	55kVA
AC rated input/output current	45.6A	75.8A
AC Max. input/output power	60A	83.3A
Voltage	3L/N/PE; 230/400V	
Frequency	50/60Hz	
THDi	≤3%	
Power Factor	0.8 leading to 0.8 lagging	
<b>System parameters</b>		
Dimension (W*H*D)	1200*2160*750mm	
Weight	860kg	880kg
Communication	CAN/RS485/WiFi/ETH	
Warranty	5 years	
Expansion	Support in parallel up to 150kW/180kWh	
Enclosure protection rating	IP55	
Cooling	Air cooling	
Environment temperature	-30~50°C	
Humidity	10%~95%RH	
Altitude	<2000m	
Certifications	UN38.3/CE/IEC62619/VDE-AR-N 4105/IEC 62109	